

Technical datasheet

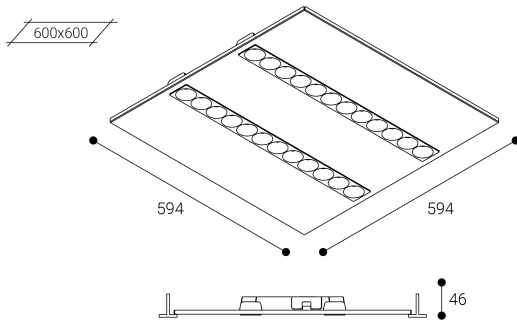
Nassel Avant



Recessed
Mounting Interior use



Dimensions (mm):



Installation: Keep a minimum 50 mm security distance between the luminaire and the ceiling to ensure its correct performance.

Photometric data:

0.5	0.80	E(0°)	8624
		E(CD)	2060
1.0	1.60	E(0°)	2156
		E(CD)	515
1.5	2.39	E(0°)	958
		E(CD)	229
2.0	3.19	E(0°)	539
		E(CD)	129
2.5	3.99	E(0°)	345
		E(CD)	82
3.0	4.79	E(0°)	240
		E(CD)	57

Separación [m] Diámetro cónico [m] Intensidad luminica [lx]

— C0 - C180 (Semiángulo de dispersión: 77.2°)

* The manufacturer reserves the right to make changes in the design and / or technical specifications.

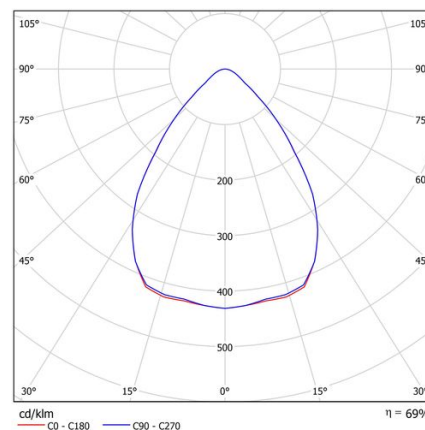
* Guarantee expendable to 5 years depending on the project.



Fittings: Nassel Avant. Microprism diffuser with very low luminance, made of polycarbonate with high reflexion. Body constructed of epoxy-polyester high performance lacquered galvanized steel through electrostatic application and subsequent curing. UV and corrosion Diffuser: Polycarbonate lens. Color: White.

Gross lumen output	5000 lm
Net lumen output	3437 lm
Color temperatures (K)	4000
CRI	80
Hours Life	72.000h L70B10
Macadam ellipses	3
Photobiological security	0
Power consumption (W)	29,7
Power (W)	27
Voltage	110-240V 50/60Hz
Power factor	0,95
Class	II
UGR	16
IP	20-44
IK	09
Weight (Kg)	2,9
Operating temperature (°C)	-20 to 40

* Variable UGR according to project
* Photobiological safety = 0/1: Risk free



L70B10 indicates that, after 72.000 hours of functioning, 90% of the luminaires will have a lumen output of at least 70% of the initial value. In other words, only 10% of the luminaires will perform under the 70% of the initial value.